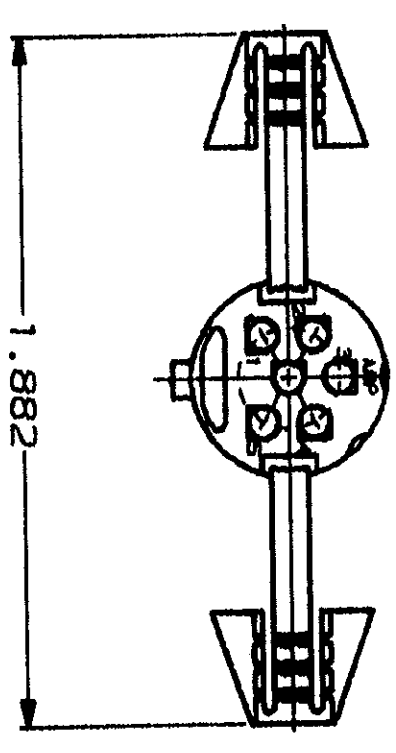
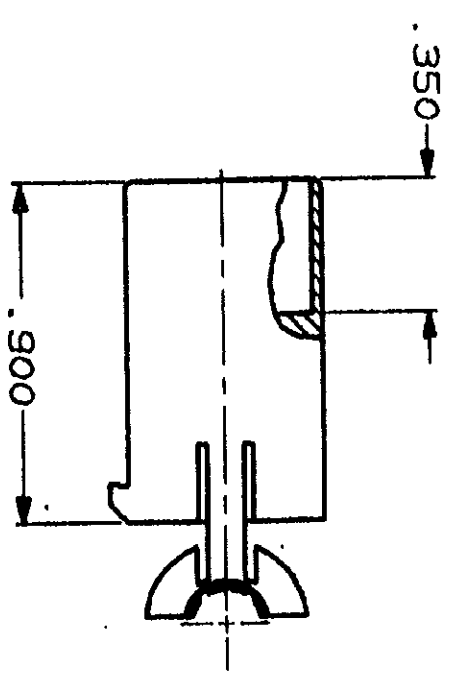
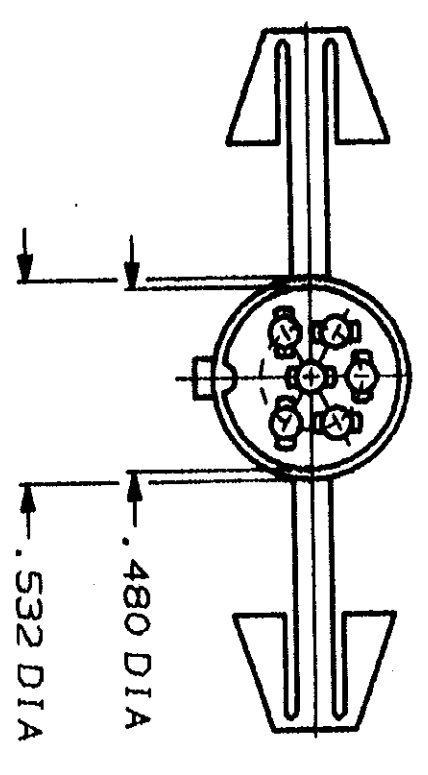


DRAWING MADE IN THIRD ANGLE PROJECTION
 THIS DRAWING IS UNPUBLISHED. RELEASED FOR PUBLICATION
 BY AMP INCORPORATED. ALL INTERNATIONAL RIGHTS RESERVED.
 © COPYRIGHT '19

REV	DATE	APPRO	REVISIONS
23	BD	39	
			REDRAWN



1. ASSEMBLES WITH 207314.

DO NOT SCALE PRINT. UNLESS SPECIFIED DIMENSIONS IN INCHES TOLERANCES ON: 1. ALL DIMS ± .005 2. HOLE DIA ± .005 3. HOLE DEC ± .005 4. ANGLES ± .5° MATERIAL THERMOPLASTIC, BLACK FINISH		DR B/30/90 A. STUB B6 CHK J. Smith S-30-91 APPD K. Drake 6-3-91 APPD - G. Taylor 6/17/91 PRODUCT SPEC		NAME AMP AMP Incorporated Harrisburg, PA 17105-3608	
APPLICATION SPEC DETAIL		SIZE CAGE CODE G 00779		DRAWING NO 207332	
SCALE 2:1		SHEET 1 OF 1		HOUSING, PIN CONTACT, AUDIO MICROPHONE CONNECTOR 6 POSITION	

207332-1
 PART NO.

207332

CUSTOMER DRAWING